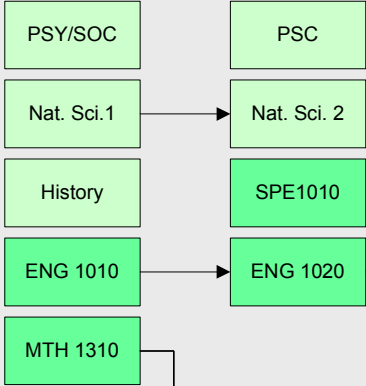


CIS Degree Planning and Tracking Chart

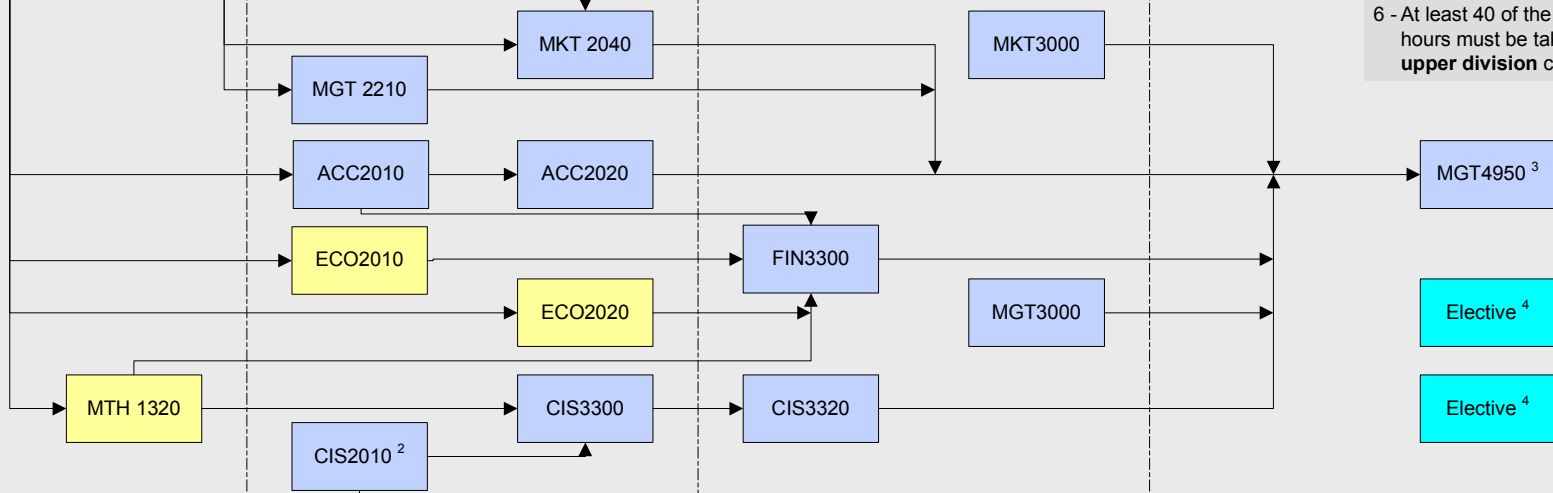
2010-11

- 1 - PHI 3360 is the preferred course.
- 2 - Pass the CIS 2010 proficiency test or take CIS/CS 1010 during your **Freshman** year.
- 3 - All General Studies (Level I & II) and Business Core courses must be completed **prior** to MGT 4950.
- 4 - Total unrestricted electives must be sufficient for student to meet the College's minimum required 120 credit hours.
- 5 - A Multicultural Course must be taken as an elective or General Studies course.
- 6 - At least 40 of the 120 credit hours must be taken as **upper division** courses.

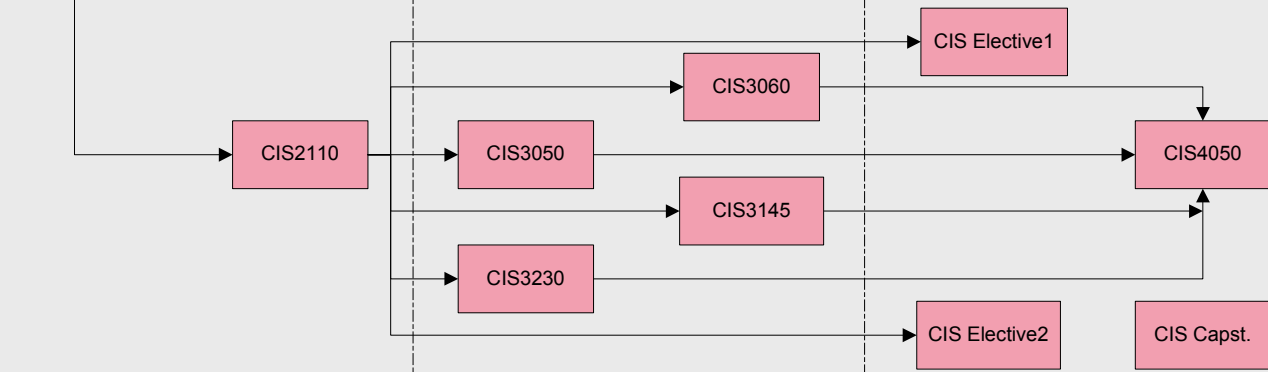
General Studies



Business School Requirements



CIS Major Requirements



1. semester

2. semester

1. semester

2. semester

1. semester

2. semester

1. semester

2. semester

Freshman year

Sophomore year

Junior year

Senior year