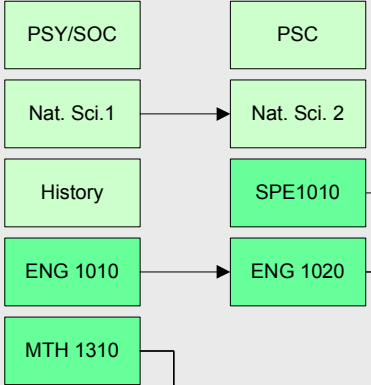


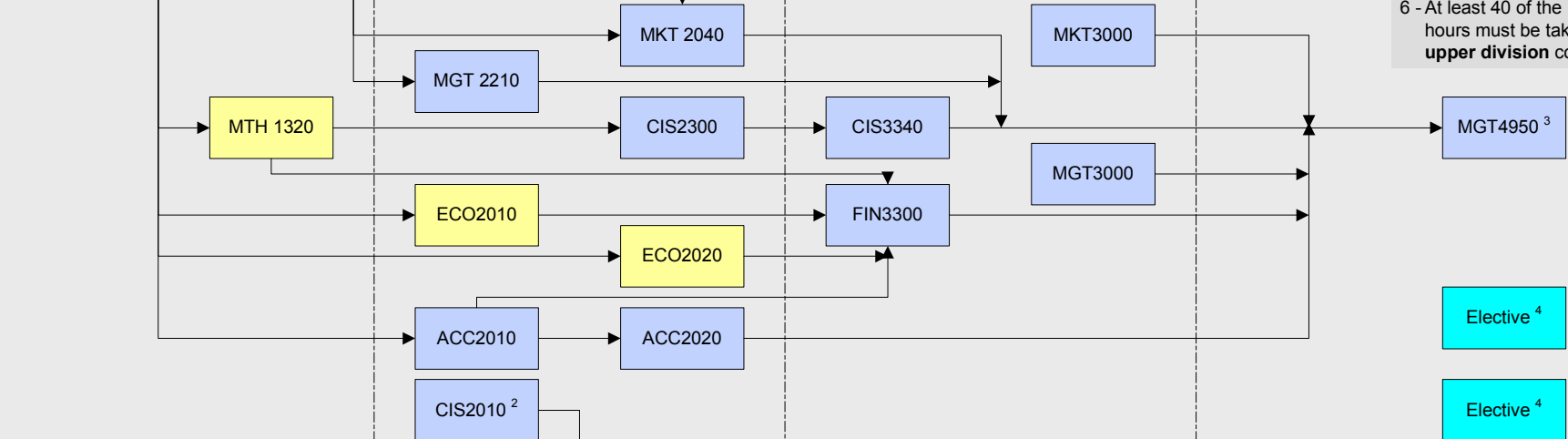
# CIS Degree Planning and Tracking Chart

- 1 - PHI 3360 is the preferred course.
- 2 - Pass the CIS 2010 proficiency test or take CIS/CS 1010 during your **Freshman** year.
- 3 - All General Studies (Level I & II) and Business Core courses must be completed **prior** to MGT 4950.
- 4 - Total unrestricted electives must be sufficient for student to meet the College's minimum required 120 credit hours.
- 5 - A Multicultural Course must be taken as an elective or General Studies course.
- 6 - At least 40 of the 120 credit hours must be taken as **upper division** courses.

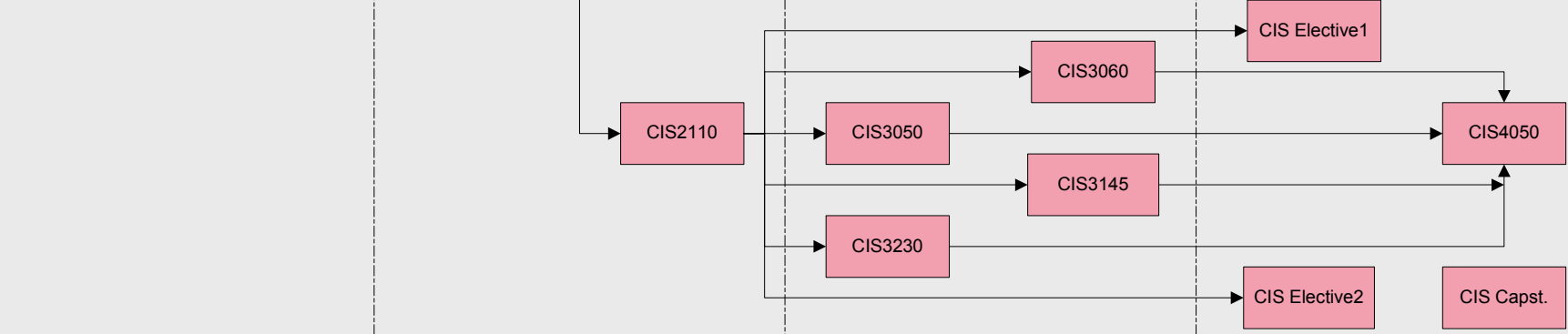
## General Studies



## Business School Requirements



## CIS Major Requirements



1. semester      2. semester      1. semester      2. semester      1. semester      2. semester      1. semester      2. semester

Freshman year

Sophomore year

Junior year

Senior year