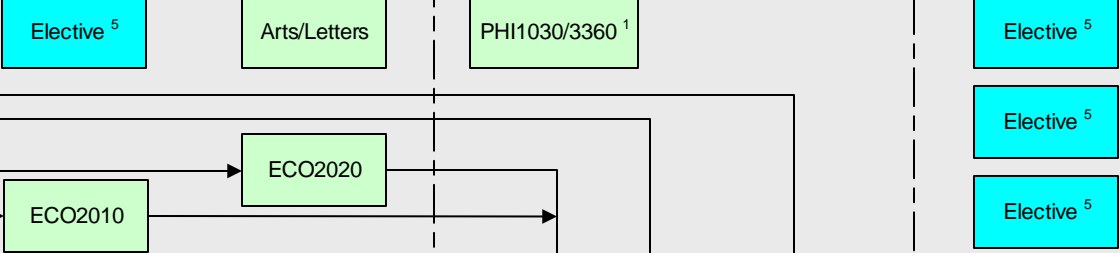
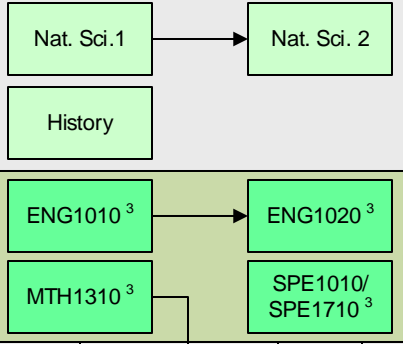


CIS Degree Planning and Tracking Chart

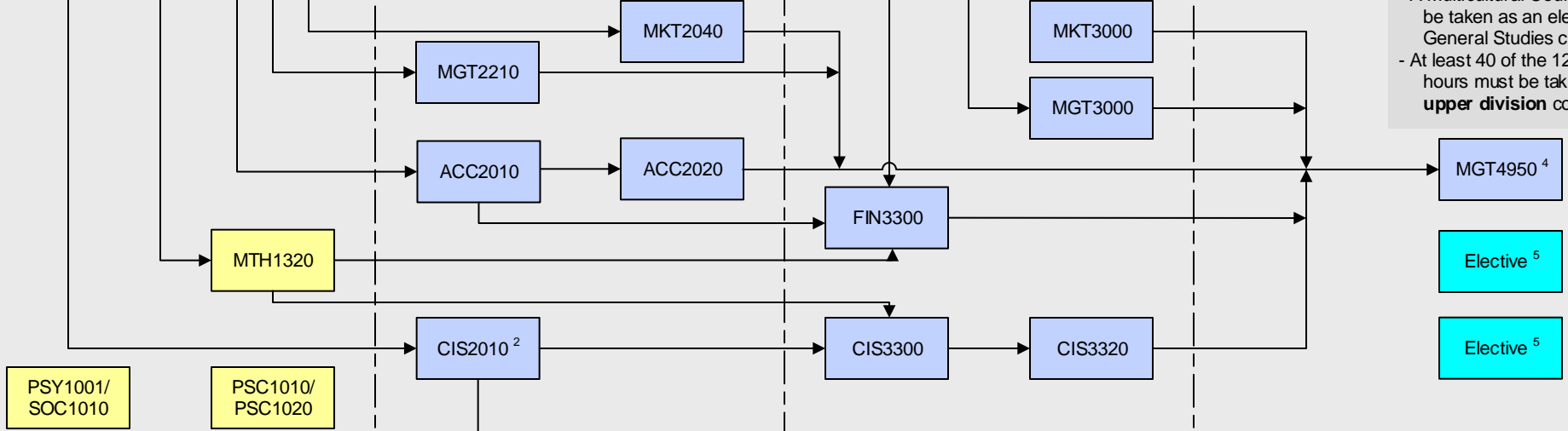
2014-15
05/6/2014

- 1 - PHI3360 is the preferred course
 - 2 - To enroll pass the CIS2010 proficiency test or take CIS/CSS1010 during your **Freshman** year.
 - 3 - Oral and Written Communication, and Quantitative Literacy courses must be completed **prior** to business core courses.
 - 4 - All Business Core courses must be completed **prior** to MGT4950.
 - 5 - Total unrestricted electives must be sufficient to meet the University's minimum required 120 credit hours.
- A Multicultural Course must be taken as an elective or General Studies course.
- At least 40 of the 120 credit hours must be taken as **upper division** courses.

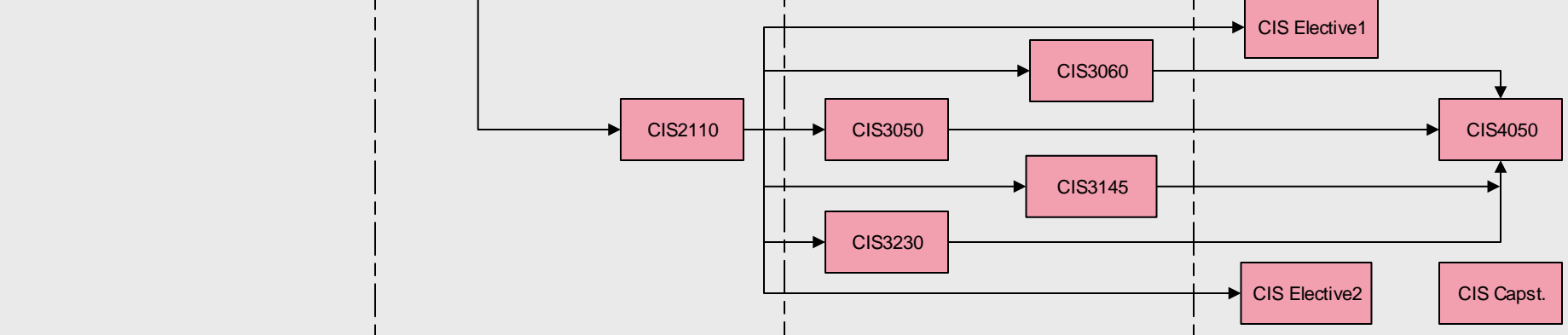
General Studies



College of Business Requirements



CIS Major Requirements



1. semester 2. semester 1. semester 2. semester 1. semester 2. semester 1. semester 2. semester

Freshman year Sophomore year Junior year Senior year